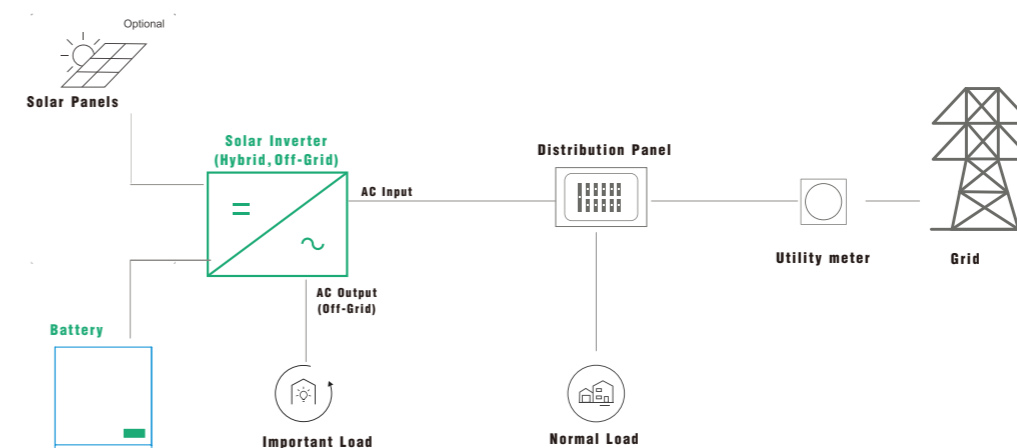


## LOW VOLTAGE BATTERY-51.2V 5KWH / 10KWH/15KWH

### SYSTEM TOPOLOGY



### PARAMETERS

Model	BAT-5KWH-51.2V	BAT-10KWH-51.2V -100A	BAT-10KWH-51.2V -150A	BAT-10KWH-51.2V -200A	BAT-15KWH-51.2V -140A
Nominal Voltage [V]	51.2	51.2	51.2	51.2	51.2
Nominal Capacity [Ah]	100	200	200	200	280
Total Energy [Wh]	5120	10240	10240	10240	14336
Dimension (W*D*H, mm)	520*165*566	520*165*865	520*165*865	520*165*865	520*200*865
Weight [Kg]	50	96	96	96	125
Max. Charging Current [A]	100	100	150	200	140
Max. Discharging Current [A]	100	100	150	200	140
Pulse Discharge Current	110A @10min 120A @10s	110A @10min 120A @10s	165A @10min 180A @10s	210A @10min 220A @10s	165A @10min 180A @10s
Charging Voltage [V]	55.2~57.6				
End of Discharge Voltage [V]	44.8 (Backup Application) / 48 (Cycle Application)				
Operation Humidity	0~95% RH (No condensing)				
Operating Temperature Range	Standard Product: Charge: 0 ~ +55°C; Discharge: -20 ~ +55°C With Optional Heater: Charge / Discharge: -30 ~ +55°C				
Cycle Life <sup>(1)</sup>	>6000				
Designed Calendar Life	10 Years				
Communication interface	RS485, CAN				
Protection	Over voltage, Low voltage, Over current, Over Temperature, Low Temperature, Short circuit				
Parallel Support <sup>(2)</sup>	Yes, Max. 15 Sets				
Series Support	Not support				

Note:  
 (1) 25°C, 0.5C/0.5C, 90%DOD and 70% EOL  
 (2) For parallel connection, refer to user manual.

### SAFETY

- + Long life type prismatic LiFePO4 cells, suitable for energy storage application.
- + Low voltage system, safety for application.
- + Cell certification: UN38.3, ROHS, IEC62619, UL1973 and UL9540A
- + Battery certification: UN38.3, MSDS, CE
- + Cycle life >6000 cycles.

### DESIGN

- + Flexible and easily installation, support wall mounted.
- + -20~+55°C widely temperature range.
- + Parallel support for more energy or more capacity inverter.
- + SOC, RUN, ALARM display and APP for detailed operation.
- + OVP, LVP, OCP, OTP, LTP protection.
- + RS485,CAN communication port for inverter.

### Compatible with inverter brands

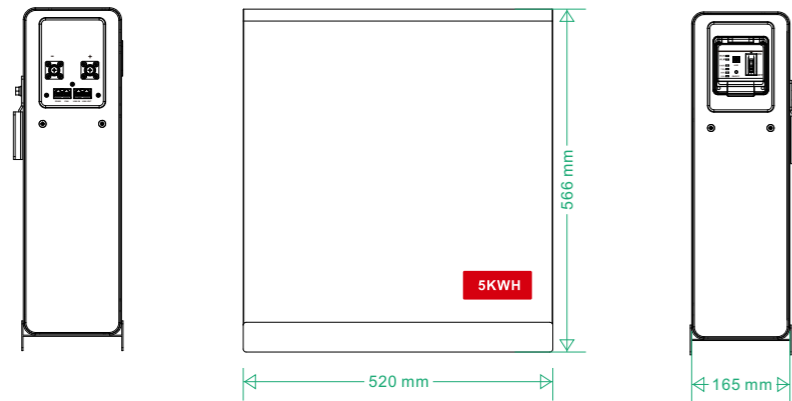
Communication compatible with major inverter



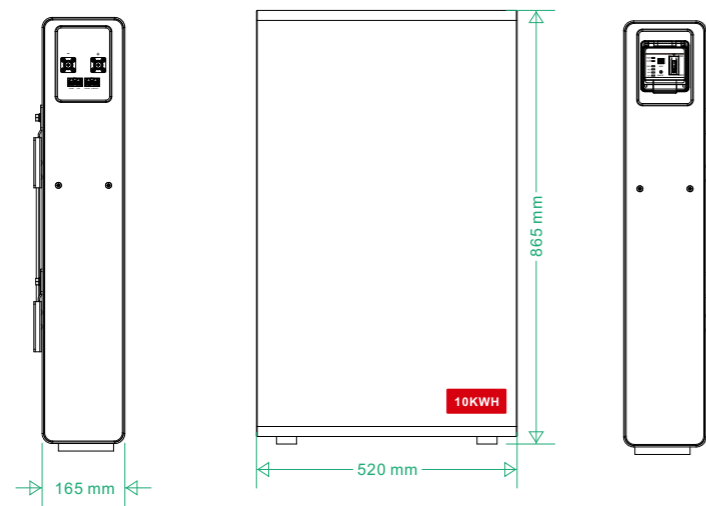
- BAT-5KWH-51.2V
- BAT-10KWH-51.2V
- BAT-10KWH-51.2V-150A
- BAT-10KWH-51.2V-200A
- BAT-15KWH-51.2V-140A

**LOW VOLTAGE BATTERY-51.2V 5KWH / 10KWH/15KWH**

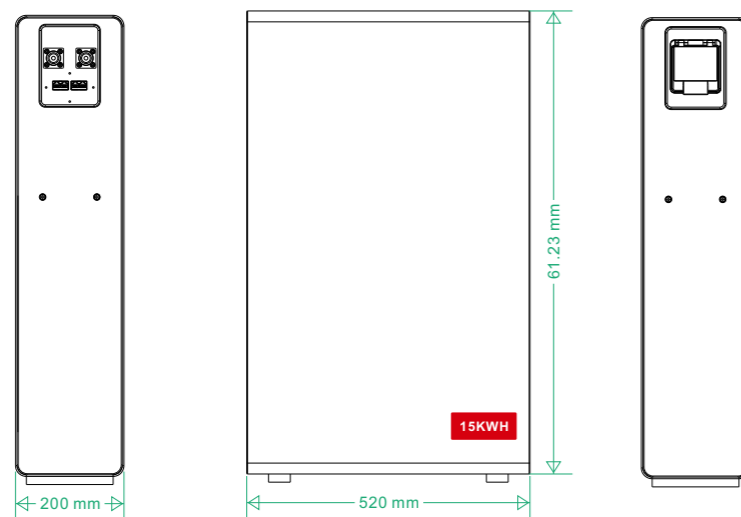
**DIMENSION BAT-05-LV-100A**



**DIMENSION BAT-10-LV-100A /150A/200A**



**DIMENSION BAT-15-LV-140A**



**LOW VOLTAGE BATTERY-51.2V 5KWH / 10KWH/15KWH**

**DETAILS**

